

INSTALLATION INSTRUCTIONS

**KICKSTART KIT FOR 1937-86
HARLEY-DAVIDSON® MODELS
P/N DS-241027**

ATTENTION INSTALLER: (if other than owner):
Please forward this instruction sheet and the warranty card to the purchaser of this product. These instructions also contain valuable information necessary to the end user.

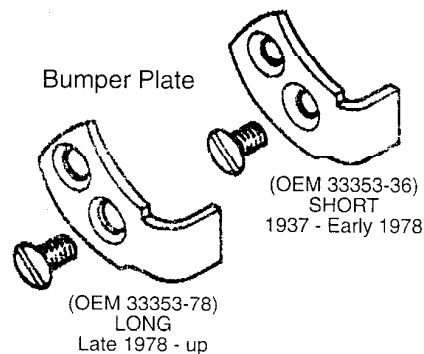
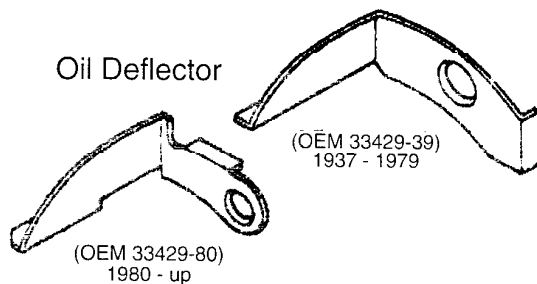
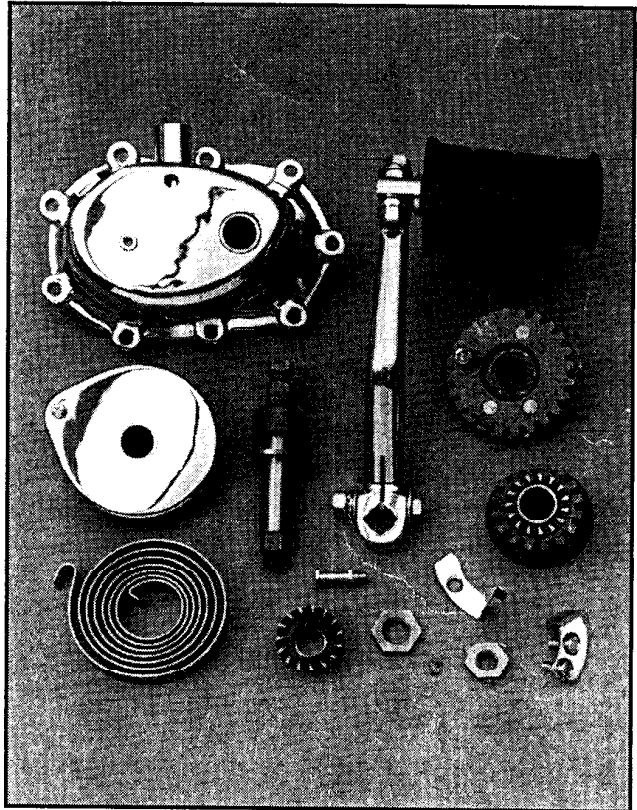
INTRODUCTION: These instructions describe the procedure for properly installing kickstart kit for 37-86 H-D® models. Review instructions carefully before beginning as they contain important information. Please retain for future reference.

Particularly important information is distinguished in these instructions by the following notations:

NOTE: A NOTE provides key information to make procedures easier or clearer.

CAUTION!: (shaded) A CAUTION indicates special procedures that must be followed to avoid damage to the motorcycle and/or accessories.

WARNING!: (boxed and shaded) A WARNING indicates special procedures that must be followed to avoid injury to a motorcycle operator or person inspecting or repairing the motorcycle.



NOTE: 1) When installing kickstart shaft into kicker cover, you must ream out starter shaft bushings to ensure proper fitment.
2) Please refer to proper Harley-Davidson® service manual for additional installation instructions.

**DRAG®
SPECIALTIES**